

Growatt 3000~6000TL3-S

- Max. Efficiency 98.4%
- Dual MPP trackers
- Supports export limitation
- Integrated DC switch
- Max.DC voltage 1000VDC
- Natural cooling



P O W E R
- I N G O
T O M O -
R R O W O



Datasheet	3000TL3-S	4000TL3-S	5000TL3-S	6000TL3-S
-----------	-----------	-----------	-----------	-----------

Input Data				
Max. recommended PV power (for module STC)	3600W	4800W	6000W	7200W
Max. DC voltage	1000V	1000V	1000V	1000V
Start Voltage	140V	140V	140V	140V
PV voltage range	140V-1000V	140V-1000V	140V-1000V	140V-1000V
Nominal voltage	620V	620V	620V	620V
MPP voltage range at Full Power	160V-800V	200V-800V	250V-800V	290V-800V
Max. input current	11A/11A	11A/11A	11A/11A	11A/11A
Number of independent MPP trackers/strings per MPP tracker	2/1	2/1	2/1	2/1

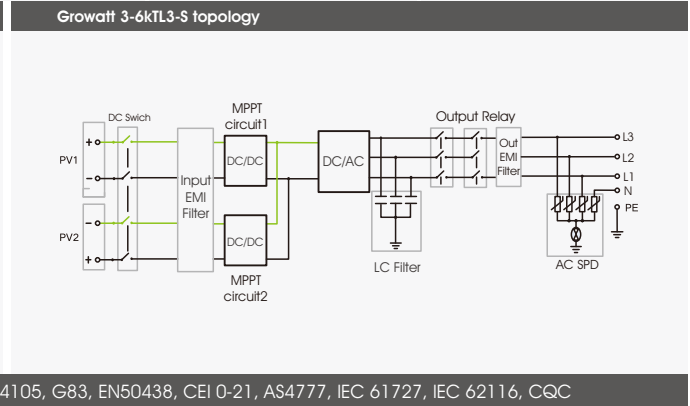
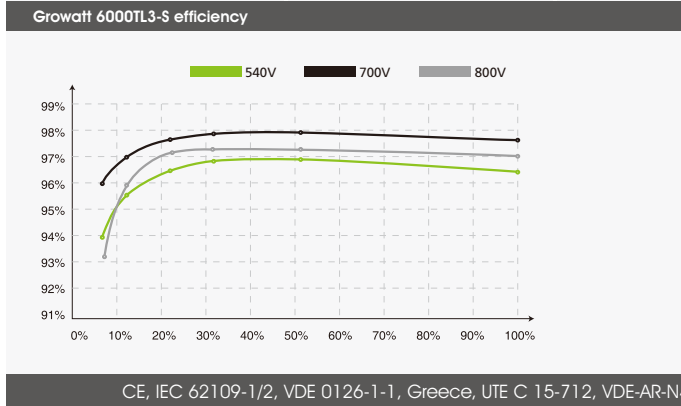
Output (AC)				
Rated AC output power	3000W	4000W	5000W	6000W
Max. AC apparent power	3000VA	4000VA	5000VA	6000VA
Max. output current	5.1A	6.8A	8.5A	10.2A
AC nominal voltage	230V/400V ; 320-478V	230V/400V ; 320-478V	230V/400V ; 320-478V	230V/400V ; 320-478V
AC grid frequency	50Hz/60Hz, ±5Hz	50Hz/60Hz, ±5Hz	50Hz/60Hz, ±5Hz	50Hz/60Hz, ±5Hz
Power factor	0.8leading - 0.8laging	0.8leading - 0.8laging	0.8leading - 0.8laging	0.8leading - 0.8laging
THDI	<3%	<3%	<3%	<3%
AC grid connection type	3W+N+PE	3W+N+PE	3W+N+PE	3W+N+PE

Efficiency				
Max. efficiency	97.5%	97.8%	98.0%	98.0%
Euro - eta	96.5%	96.7%	96.9%	97.1%
MPPT efficiency	99.5%	99.5%	99.5%	99.5%

Protection Devices				
DC reverse polarity protection	yes	yes	yes	yes
DC switch	yes	yes	yes	yes
Output over current protection	yes	yes	yes	yes
Output AC overvoltage Protection - Varistor	yes	yes	yes	yes
Ground fault monitoring	yes	yes	yes	yes
Grid monitoring	yes	yes	yes	yes
Integrated all-pole sensitive leakage current monitoring unit	yes	yes	yes	yes

General Data				
Dimensions (W / H / D) in mm	480/448/200	480/448/200	480/448/200	480/448/200
Weight	21.2kg	21.2kg	21.2kg	21.2kg
Operating temperature range	-25 °C ... +60 °C	-25 °C ... +60 °C	-25 °C ... +60 °C	-25 °C ... +60 °C
Noise emission (typical)	≤35 dB(A)	≤35 dB(A)	≤35 dB(A)	≤35 dB(A)
Altitude	3000m	3000m	3000m	3000m
Self-consumption night	< 0.5W	< 0.5W	< 0.5W	< 0.5W
Topology	Transformerless	Transformerless	Transformerless	Transformerless
Cooling concept	Natural	Natural	Natural	Natural
Environmental Protection Rating	IP65	IP65	IP65	IP65
Relative humidity	0~100%	0~100%	0~100%	0~100%

Features				
DC connection	H4/MC4(opt)	H4/MC4(opt)	H4/MC4(opt)	H4/MC4(opt)
AC connection	Connector	Connector	Connector	Connector
Display	LCD	LCD	LCD	LCD
Interfaces:RS232/RS485/RF/Ethernet/Wi-Fi	yes/yes/opt/opt/opt	yes/yes/opt/opt/opt	yes/yes/opt/opt/opt	yes/yes/opt/opt/opt
Warranty:5 years/10 years	yes/opt	yes/opt	yes/opt	yes/opt



CE, IEC 62109-1/2, VDE 0126-1-1, Greece, UTE C 15-712, VDE-AR-N4105, G83, EN50438, CEI 0-21, AS4777, IEC 61727, IEC 62116, CQC